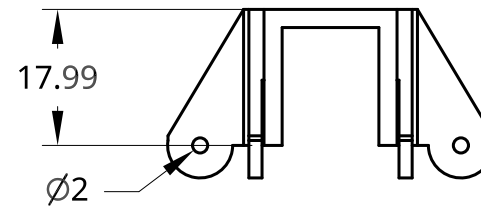
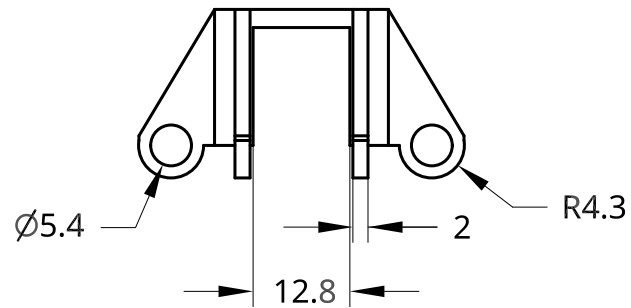
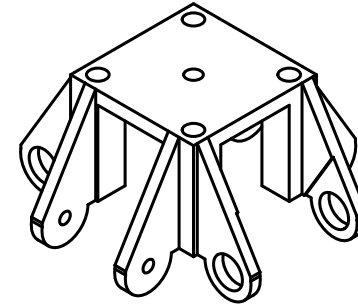
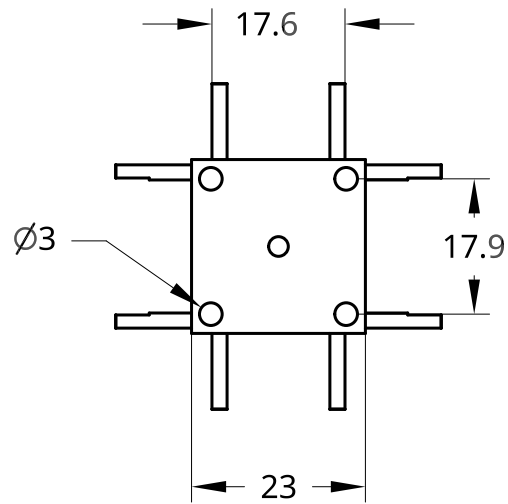




2

1



UNLESS OTHERWISE SPECIFIED, DIMENSIONS ARE IN MILLIMETERS ANGULAR = ± ° SURFACE FINISH  DO NOT SCALE DRAWING BREAK ALL SHARP EDGES AND REMOVE BURRS THIRD ANGLE PROJECTION 		NAME	DATE			
	DRAWN	Nelson Phillips	04/21/2018	TITLE		
	CHECKED			----		
	APPROVED			----		

	MATERIAL	FINISH	SIZE	DWG NO.	REV.	
			A	----	-	
			SCALE 1:1	WEIGHT	SHEET	1 of 1

2

1

B

B

A

A